

SINGER

14U32A

PARTS LIST

SINGER*

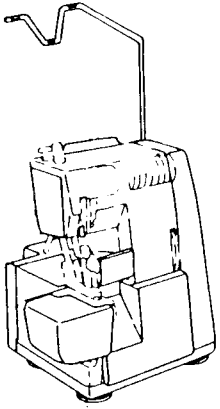
14U32A

From the library of: Diamond Needle Corp

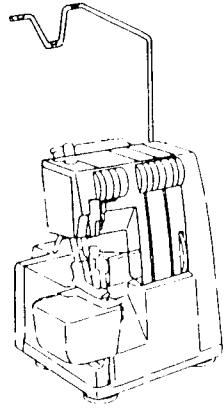
* A Trademark of THE SINGER COMPANY
Copyright © 1988 SINGER SEWING MACHINE COMPANY
All Rights Reserved Throughout The World

INDEX

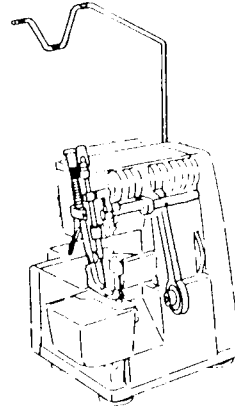
1



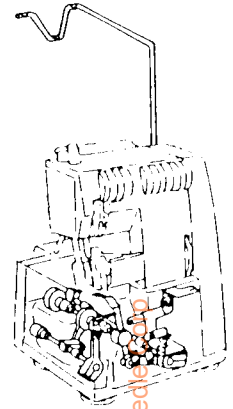
2



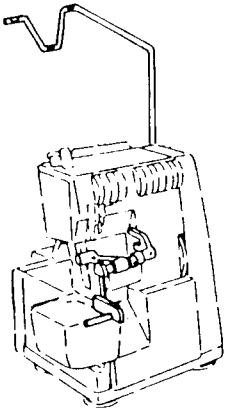
3



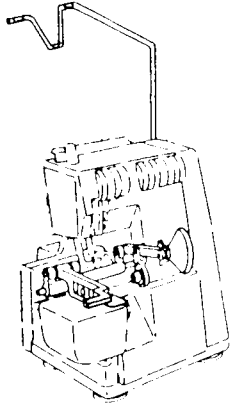
4



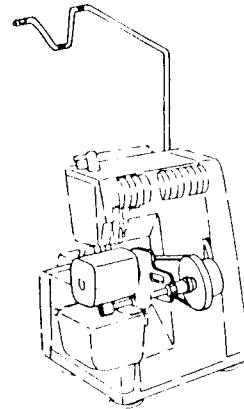
5



6

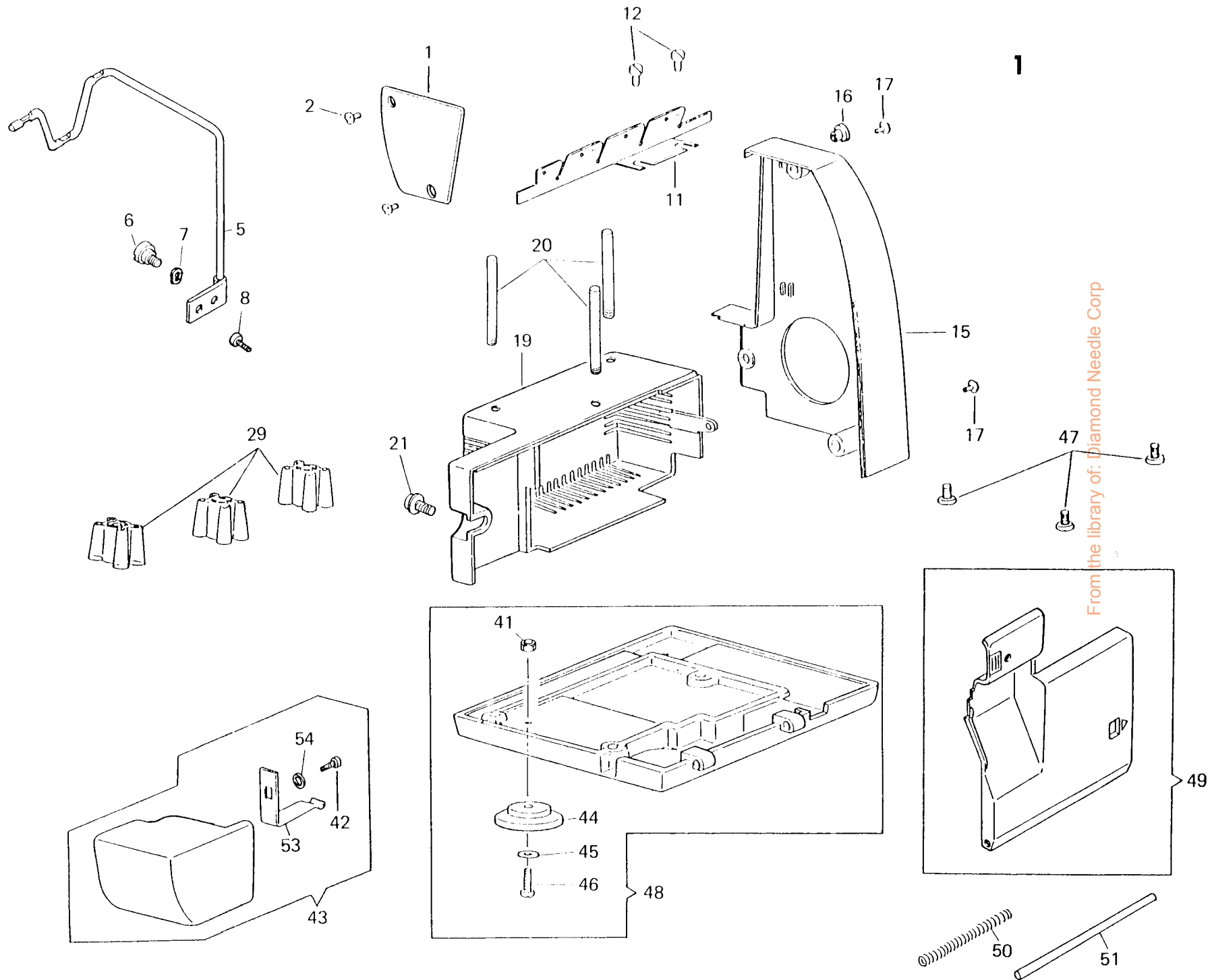


7



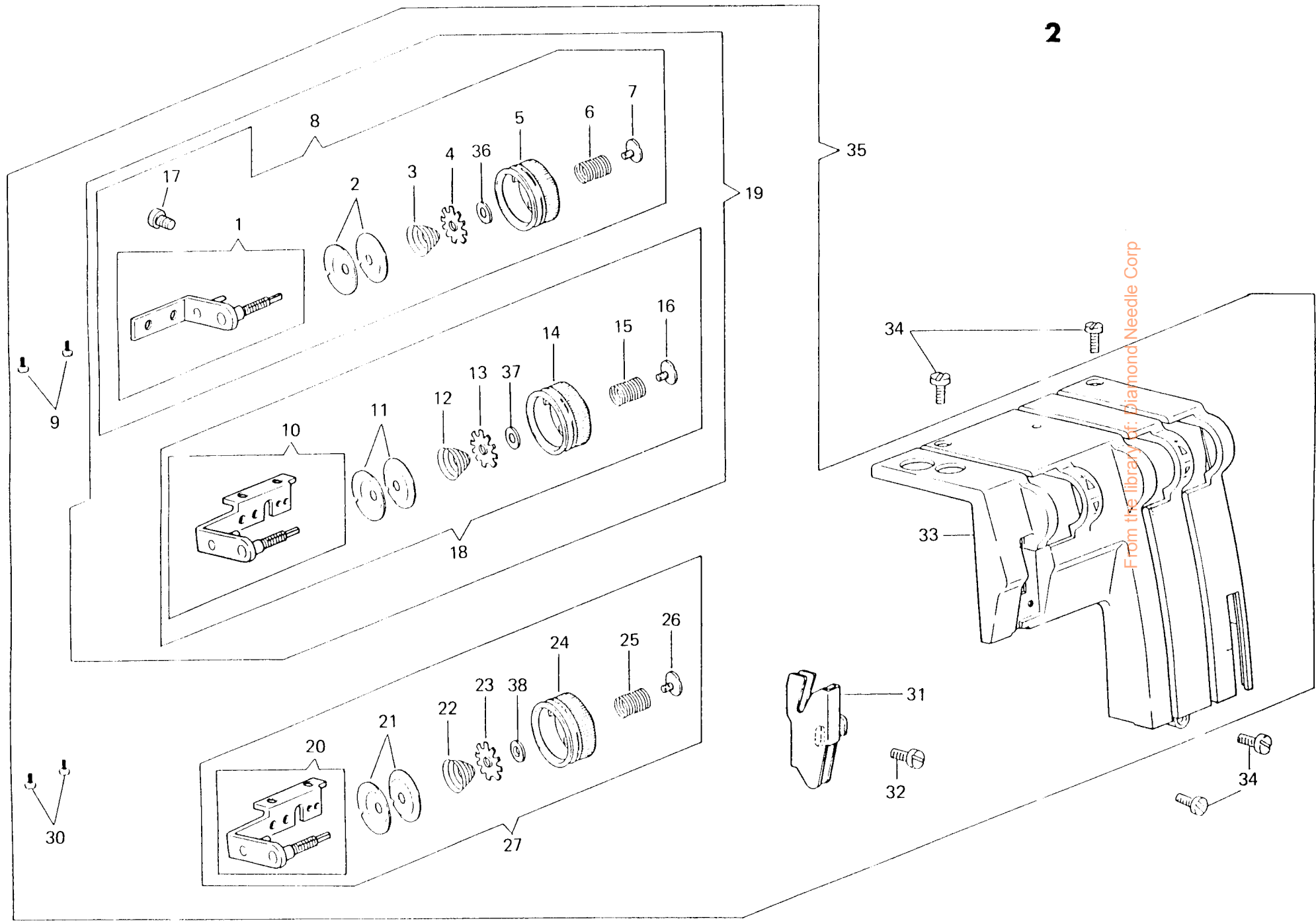
8

From the library of: Diamond Needle Co.



	PART NO.	DESCRIPTION		PART NO.	DESCRIPTION
1	410241-002	Face Plate			
2	544212-072	Face Plate Screw(2)			
5	376835	Thread Unwinder Complete			
6	374332	Thread Unwinder Screw Stud			
7	409213	Thread Unwinder Wave Washer			
8	544212-053	Thread Unwinder Stoper Screw			
11	410209-002	Thread Guide Plate			
12	544212-001	Thread Guide Plate Set Screw(2)			
15	410250-002	Pulley Cover			
16	544782-002	Handle Hole Pulag			
17	544270-001	Pulley Cover Screw(3)			
19	376833	Motor Cover			
20	542412-457	Spool Pin			
21	544270-001	Motor Cover Screw			
29	546893	Spool Holder(3)			
			41	541166-001	Machine Base Cushion Nut(4)
			42	412697	Cylinder Cover Spring Clamping Screw
			43	412706-002	Cylinder Cover Complete
			44	410208	Machine Base Cushion(4)
			45	543803-004	Machine Base Cushion Screw Washer(4)
			46	544218-002	Machine Base Cushion Screw(4)
			47	544214-005	Machine Base Screw(3)
			48	376794-002	Machine Base Complete
			49	376823-012	Looper Cover Complete
			50	376717	Looper Cover Hinge Spring
			51	410239	Looper Cover Hinge Pin
			53	412682	Cylinder Cover Spring
			54	543804-003	Cylinder Cover Spring Clamping Screw Washer

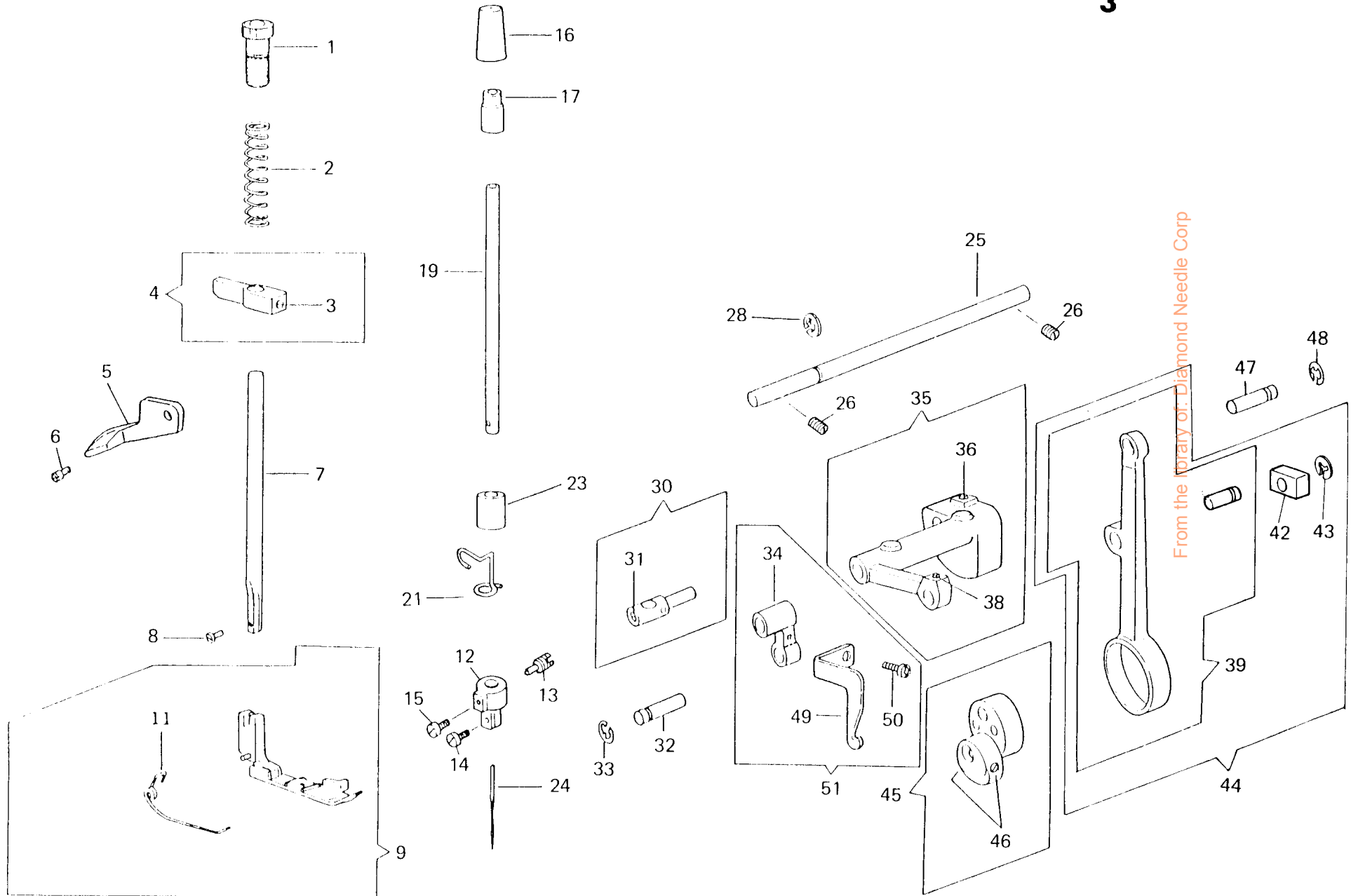
From the library of: Diamond Needle Corp



	PART NO.	DESCRIPTION		PART NO.	DESCRIPTION
1	376818	One Turn Tension Dial Bracket (right) Comp.			
2	410226	Tension Disc(2)			
3	412680	Tension Disc Spring			
4	370289	Tension Disc Spring Nut			
5	410229-460	Tension Dial Comp.			
6	410230	Tension Dial Presser Spring			
7	544265	Tension Dial Presser Spring Screw			
8	376831	One Turn Tension Dial Comp.(L)(right)			
9	412697-002	Tension Dial Comp.Screw(2)			
10	376817	One Turn Tension Dial Bracket (left) Comp.			
11	410226	Tension Disc(2)			
12	412679	Tension Disc Spring			
13	370289	Tension Disc Spring Nut			
14	410229-459	Tension Dial Comp.			
15	410230	Tension Dial Presser Spring			
16	544265	Tension Dial Presser Spring Screw			
17	544212-001	Tension Dial Bracket (left) Set Screw			
18	376832	One Turn Tension Dial Comp.(L)(left)			
19	376820	One Turn Tension Dial Comp.(L)			
20	376817	One Turn Tension Dial Bracket (left) Comp.			
21	410226	Tension Disc(2)			
22	412720	Tension Disc Spring			
23	370289	Tension Disc Spring Nut			
24	410229-462	Tension Dial Comp.			
25	410230	Tension Dial Presser Spring			
26	544265	Tension Dial Presser Spring Screw			
27	370258	One Turn Tension Dial Comp.(N)			
30	412697-002	Tension Dial Comp. Screw(2)			
31	410466-002	Front Cover Thread Guide			
32	412697	Front Cover Thread Guide Set Screw			
33	412715-003	Front Cover (body) Comp.			
34	544212-073	Front Cover Screw(4)			
35	376828-001	Front Cover Comp.			
36	412696	Washer			
37	412696	Washer			
38	412696	Washer			

From the library of: Diamond Needle Corp

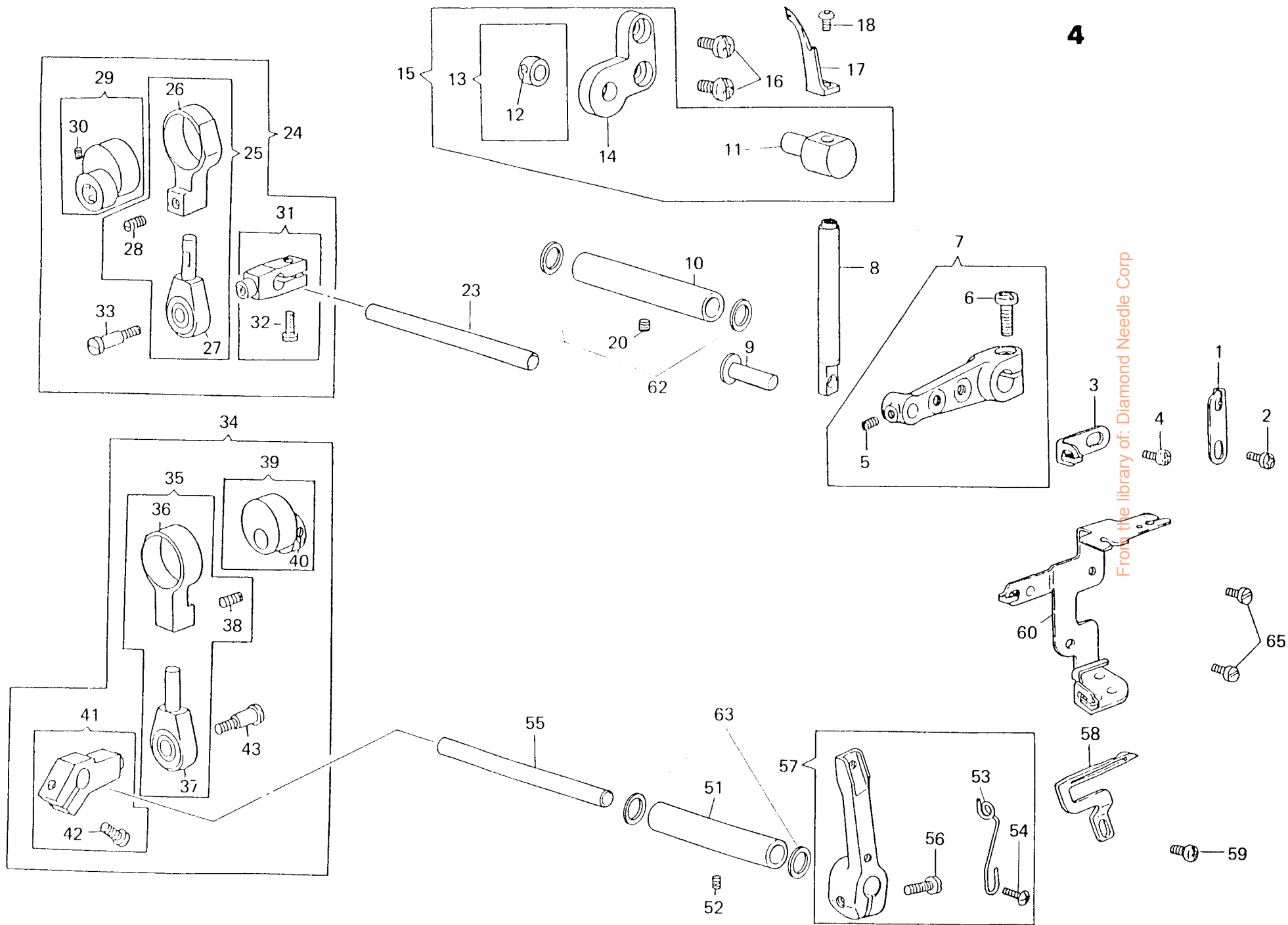
3



From the library of Diamond Needle Corp

	PART NO.	DESCRIPTION		PART NO.	DESCRIPTION
1	544262-101	Presser Regulating Thumb Screw	39	370243	Needle Bar Crank Rod Comp.
2	410355	Presser Bar Spring			
3	544204-001	Presser Bar Guide Bracket Screw			
4	410352	Presser Bar Guide Bracket Comp.	42	511030	Needle Bar Crank Rod Slide Block
5	412787-100	Presser Bar Lifter	43	543801-006	Needle Bar Crank Rod Slide Block Pin Retaining Ring
6	544441	Presser Bar Lifter Screw Stud	44	370242	Needle Bar Crank Rod Comp.
7	410351	Presser Bar	45	410461	Needle Bar Eccentric Cam Comp.
8	504063-451	Presser Foot Screw	46	544204-002	Needle Bar Eccentric Cam Set Screw(2)
9	376811	Presser Foot Comp.	47	410340	Needle Bar Crank Rod Pin
11	410348	Presser Foot Spring	48	543801-006	Needle Bar Crank Rod Pin Retaining Ring
12	376845	Needle Clamp	49	410463	Needle Thread Take-up
13	374102	Needle Bar Set Screw	50	544211-051	Needle Thread Take-up Screw
14	376805	Needle Set Screw	51	410451	Needle Bar Connecting Link Comp.
15	544211-059	Needle Bar Thread Guide Set Screw			
16	410322-100	Needle Bar Bushing (upper) Cap			
17	410323	Needle Bar Bushing (upper)			
19	376844	Needle Bar			
21	376846	Needle Bar Thread Guide			
23	410324	Needle Bar Bushing (lower)			
24	N2054-01-14	Needle (#14)			
25	376814	Arm Shaft			
26	544204-002	Arm Shaft Set Screw(2)			
28	543801-007	Arm Shaft Retaining Ring			
30	410325	Needle Bar Connecting Stud			
31	544044	Needle Bar Connecting Stud Screw			
32	410340	Needle Bar Connecting Link Pin			
33	543801-006	Needle Bar Connecting Link Pin Retaining Ring			
34	410327	Needle Bar Connecting Link			
35	412707-001	Needle Bar Crank Comp			
36	544203-001	Needle Bar Crank Rod Pin Screw			
38	544203-001	Needle Bar Connecting Link Pin			

From the library of: Diamond Needle Corp



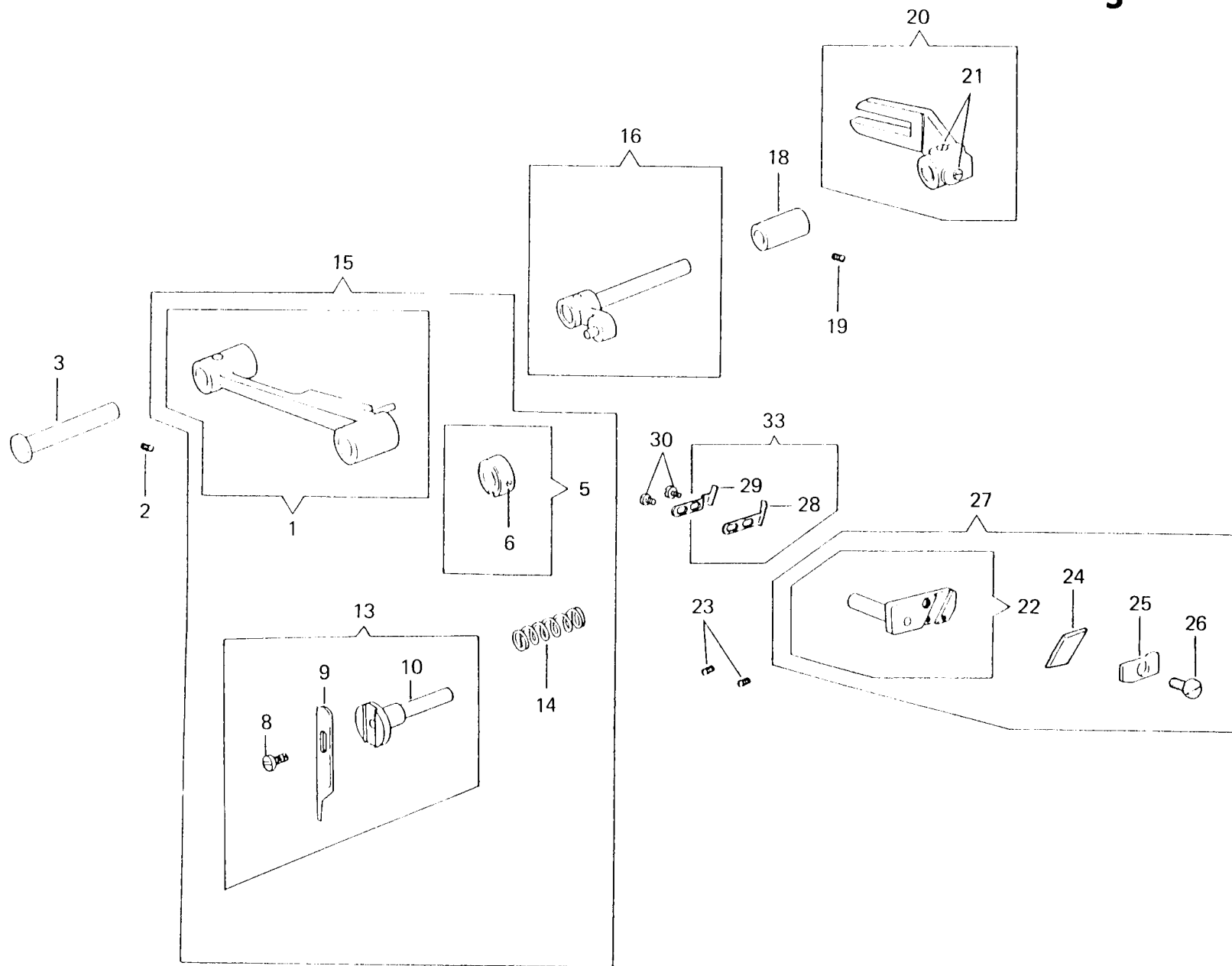
4

From the library of: Diamond Needle Corp

PART NO. DESCRIPTION			PART NO. DESCRIPTION		
1	410455	Right Looper Thread Guide	39	376701	Looper Cam Comp.
2	544212-001	Right Looper Thread Guide Set Screw	40	544204-001	Looper Cam Set Screw(2)
3	410438	Left Looper Thread Guide	41	412798	Left Looper Shaft Lever Comp.
4	544212-001	Left Looper Thread Guide Set Screw	42	544213-054	Left Looper Shaft Lever Screw
5	544203-001	Right Looper Retainer Driving Lever Stud Set Screw	43	374136	Screw Stud
6	544213-053	Right Looper Retainer Driving Lever Clamping Screw			
7	410436	Right Looper Retainer Driving Lever Comp.			
8	410435	Right Looper Retainer			
9	370290	Right Looper Retainer Driving Lever Stud			
10	376799	Right Looper Shaft Bushing			
11	410429	Right Looper Retainer Guide			
12	544203-001	Right Looper Retainer Guide Collar Screw(2)			
13	410432	Right Looper Retainer Guide Collar Comp.	51	376798	Left Looper Shaft Bushing
14	410428	Right Looper Retainer Guide Bracket	52	544204-001	Left Looper Shaft Bushing Set Screw
15	410427	Right Looper Retainer Guide Bracket Comp.	53	410456	Left Looper Holder Thread Guide
16	544213-002	Right Looper Retainer Guide Bracket Screw(2)	54	544212-001	Left Looper Holder Thread Guide Screw
17	410434	Right Looper	55	376813	Left Looper Shaft
18	544413	Right Looper Screw	56	544213-053	Left Looper Holder Clamping Screw
			57	376838	Left Looper Holder Comp.
20	544204-001	Right Looper Shaft Bushing Set Screw	58	410452	Left Looper
			59	544211-052	Left Looper Screw
			60	376800-001	Looper Thread Guide
23	376813	Right Looper Shaft			
24	376707	Right Looper Cam Rod Comp.	62	542102	Right Looper Shaft Bushing Thrust Washer(2)
25	412793	Looper Cam Rod Comp.	63	542102	Left Looper Shaft Bushing Thrust Washer(2)
26	412794	Looper Cam Rod			
27	412795	Rod End			
28	544208-002	Rod End Set Screw	65	544212-001	Looper Thread Guide Screw(2)
29	376701	Looper Cam Comp.			
30	544204-001	Looper Cam Set Screw(2)			
31	412796	Right Looper Shaft Lever Comp.			
32	544213-054	Right Looper Shaft Lever Screw			
33	374136	Screw Stud			
34	376708	Left Looper Cam Rod Comp.			
35	412793	Looper Cam Rod Comp.			
36	412794	Looper Cam Rod			
37	412795	Rod End			
38	544208-002	Rod End Set Screw			

From the library of: Diamond Needle Corp

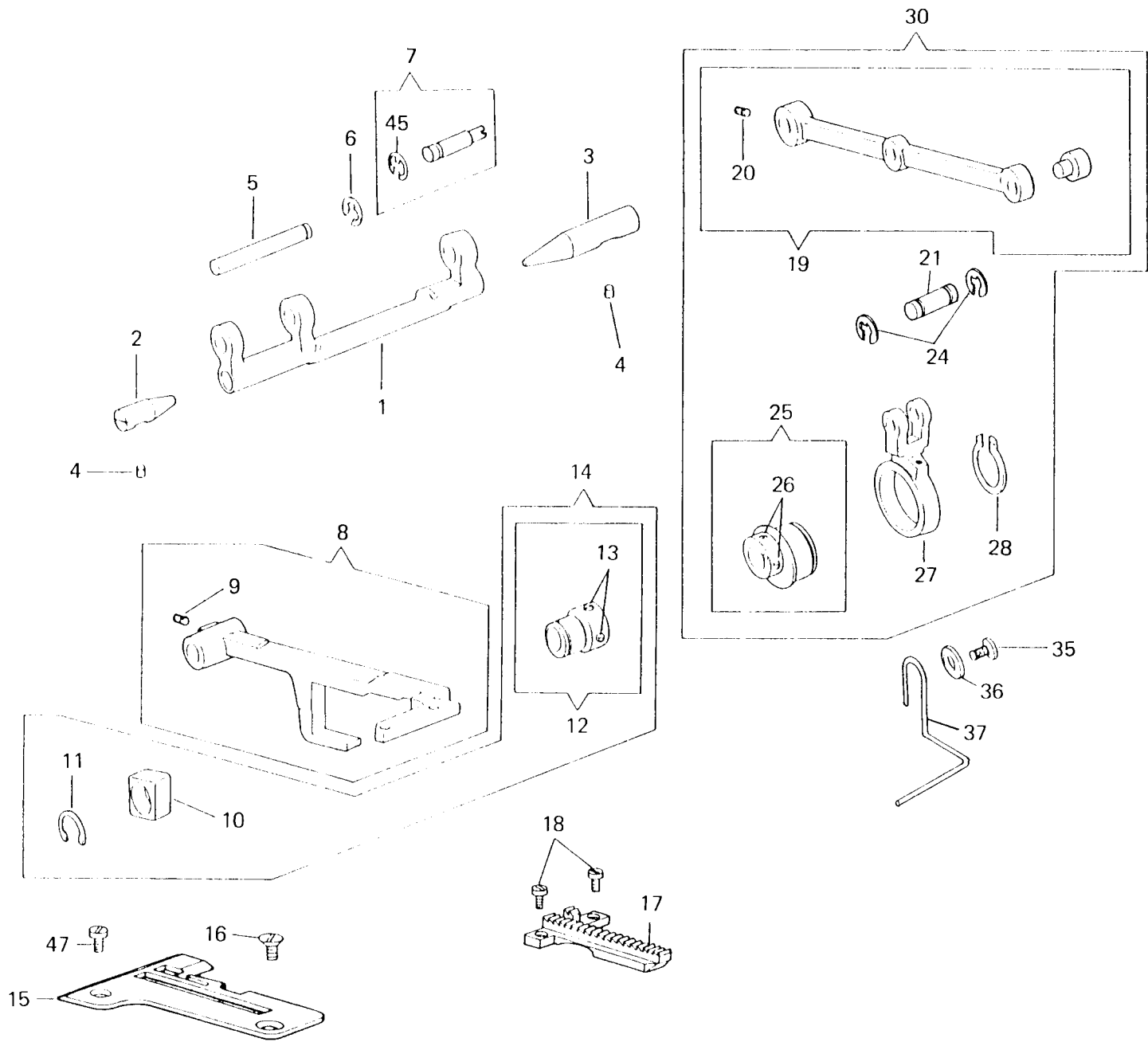
5



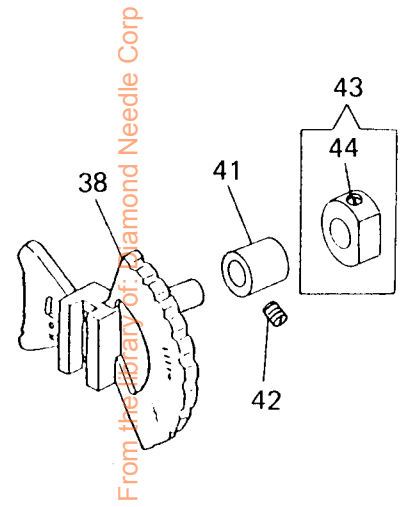
From the library of: Diamond Needle Corp

	PART NO.	DESCRIPTION		PART NO.	DESCRIPTION
1	376842	Knife (movable) Lever Comp.			
2	544204-001	Knife (movable) Lever Hing Stud Screw			
3	410310	Knife (movable) Lever Hing Stud			
5	410308	Knife (movable) Holder Collar Comp.			
6	544203-001	Knife (movable) Holder Coller Set Screw			
8	544407	Knife (movable) Screw			
9	412585	Knife (movable)			
10	412586	Knife (movable) Holder			
13	412584	Knife (movable) Comp.			
14	410307	Knife (movable) Holder Spring			
15	376841	Knife (movable) Lever Comp.			
16	410312-012	Knife (movable) Lever Driving Arm Comp.			
18	410316	Knife (movable) Forked Lever Stud Bushing			
19	544204-001	Knife (movable) Forked Lever Stud Bushing Set Screw			
20	410317	Knife (movable) Forked Lever (comp.)			
21	544204-001	Knife (movable) Forked Lever Screw(2)			
22	376858	Knife (stationary) Holder			
23	544207-011	Knife (stationary) Holder Screw(2)			
24	412749	Knife (stationary)			
25	410297	Knife (stationary) Clamping Plate			
26	544256	Knife (stationary) Clamping Plate Screw			
27	376859	Knife (stationary) Comp.			
28	410473	Needle Guard (front)			
29	410474	Needle Guard (rear)			
30	545180	Needle Guard Set Screw(2)			
33	412657	Needle Guard Comp.			

From the library of: Diamond Needle Corp



6

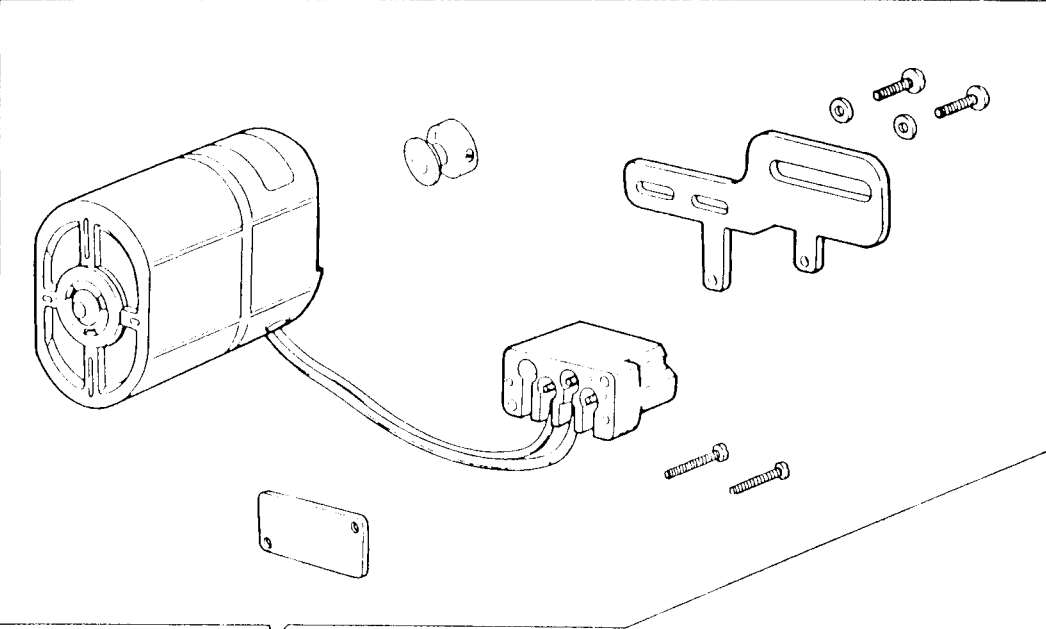


From the library of: Diamond Needle Corp

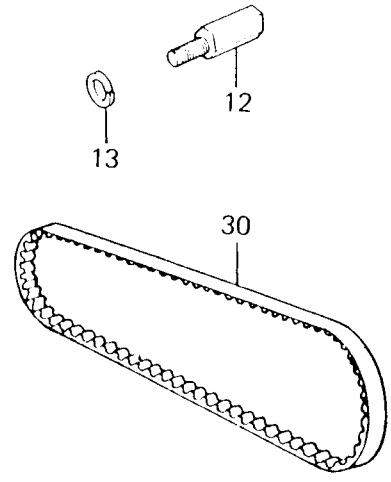
PART NO.	DESCRIPTION	PART NO.	DESCRIPTION
1 410378	Feed Crank		
2 410380	Feed Crank Pin Center (small)		
3 376795	Feed Crank Pin Center (large)	41 410370	Feed Regulator Stud Bushing
4 544204-001	Feed Crank Pin Center Screw(2)	42 544204-001	Feed Regulator Stud Bushing Set Screw
5 410381	Feed Crank Pin	43 410409	Feed Regulator Stud Collar Comp.
6 543801-006	Feed Crank Pin Retaining Ring	44 504007	Feed Regulator Stud Collar Screw
7 410382	Feed Crank Eccentric Pin Comp.	45 543301-007	Feed Crank Eccentric Pin Retaining Ring
8 410399	Feed Bar Comp.		
9 544204-001	Feed Crank Pin Screw	47 412694	Throat Plate Position Screw
10 410387	Feed Lifting Cam Slid Block		
11 543818-010	Feed Lifting Cam Slide Block Retaining Ring		
12 410385	Feed Lifting Cam Comp.		
13 544204-001	Feed Lifting Cam Set Screw(2)		
14 410384	Feed Lifting Cam Comp.		
15 376703	Throat Plate		
16 504050-851	Throat Plate Screw		
17 412781	Feed Dog		
18 544103	Feed Dog Screw(2)		
19 376852	Feed Regulator Crank Rod Comp.		
20 544204-001	Feed Crank Eccentric Pin Screw		
21 410363	Feed Crank Rod Pin		
24 543801-006	Feed Crank Rod Pin Retaining Ring		
25 410360	Feed Cam Comp.		
26 544203-001	Feed Cam Screw(2)		
27 410362	Feed Crank Rod		
28 543802-014	Feed Cam Retaining Ring		
30 376850	Feed Regulator Crank Rod Comp.		
35 544213-001	Feed Regulator Dial Spring Screw		
36 543803-004	Feed Regulator Dial Spring Washer		
37 376810	Feed Regulator Dial Spring		
38 412788-003	Feed Regulator Dial Comp.		

From the library of: Diamond Needle Corp

7



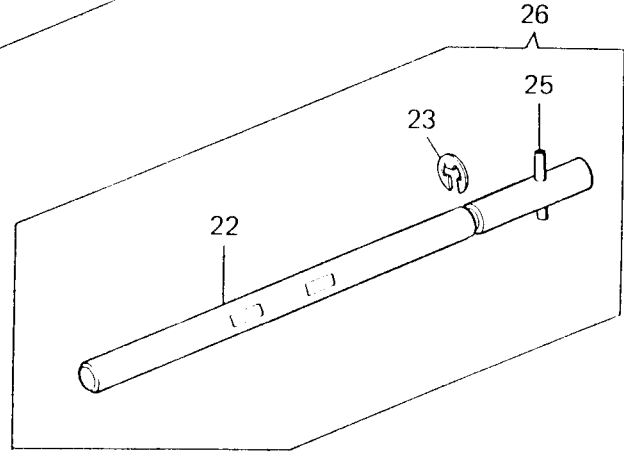
10



13

12

30

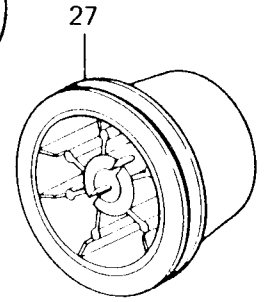


22

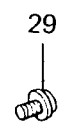
23

26

25



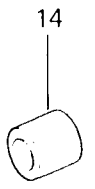
27



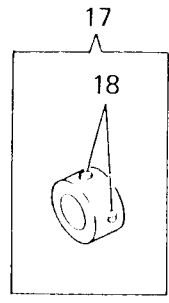
29

From the library of: Diamond Speed Corp

28



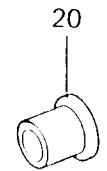
14



17

18

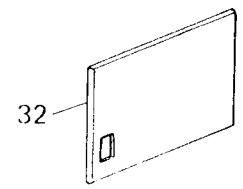
19



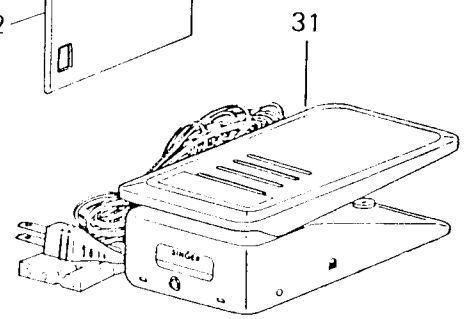
20



19



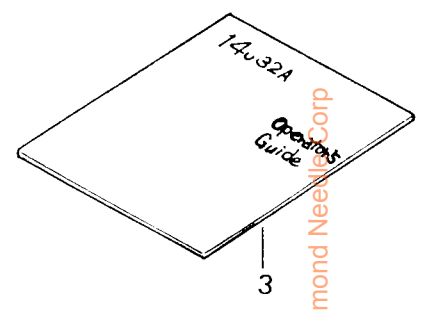
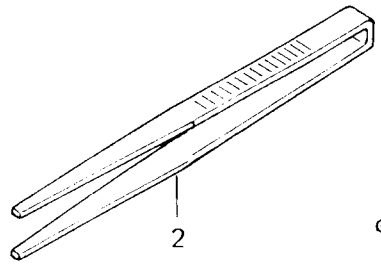
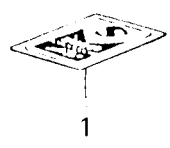
32



31

	PART NO.	DESCRIPTION		PART NO.	DESCRIPTION
10	419375-001	Motor Comp. (for UL/CSA) <i>uol 419375003</i>			
12	544259	Motor Bracket Clamping Screw			
13	543805-005	Motor Bracket Clamping Screw Washer			
14	410252	Rotating Shaft Bushing (left)			
17	410470	Rotating Shaft Collar Comp.			
18	544204-001	Rotating Shaft Collar Set Screw (2)			
19	408730	Rotating Shaft Thrust Washer (2)			
20	410253	Rotating Shaft Bushing (right)			
22	376816	Rotating Shaft			
23	543801-010	Rotating Shaft Retaining Ring			
25	543809-004	Rotating Shaft Spring Pin			
26	376808	Rotating Shaft Comp.			
27	410268-002	Pulley			
28	543848	Pulley Set Screw Washer			
29	544270-001	Pulley Set Screw			
30	412721	Motor Belt			
31	419115-002	Controller Comp. (for UL/CSA) <i>uol 419115004</i>			
32	419376-901	Electrical Data Plate (for UL/CSA)			
32	419376-904	Electrical Data Plate (for UL)			

From the library of: Diamond Needle Corp



From the library of: Diamond Needle Corp

	PART NO.	DESCRIPTION		PART NO.	DESCRIPTION
1	N2054-01-14	Needle(#14)			
2	376853	Tweezers			
3	379210-002	Operator's Guide			

From the library of: Diamond Needle Corp